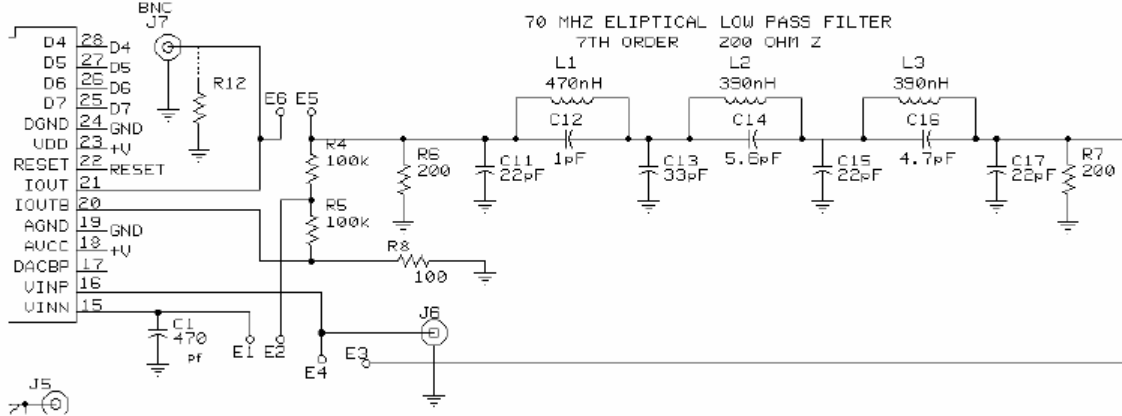


Figure 2. Basic Clock Generator Configuration

To Bypass on board filter:

- 1) Remove E6 to E5 Jumper
- 2) Install appropriate R12 for IOUT Termination



Zastanawiam się wręcz na czymś takim.

