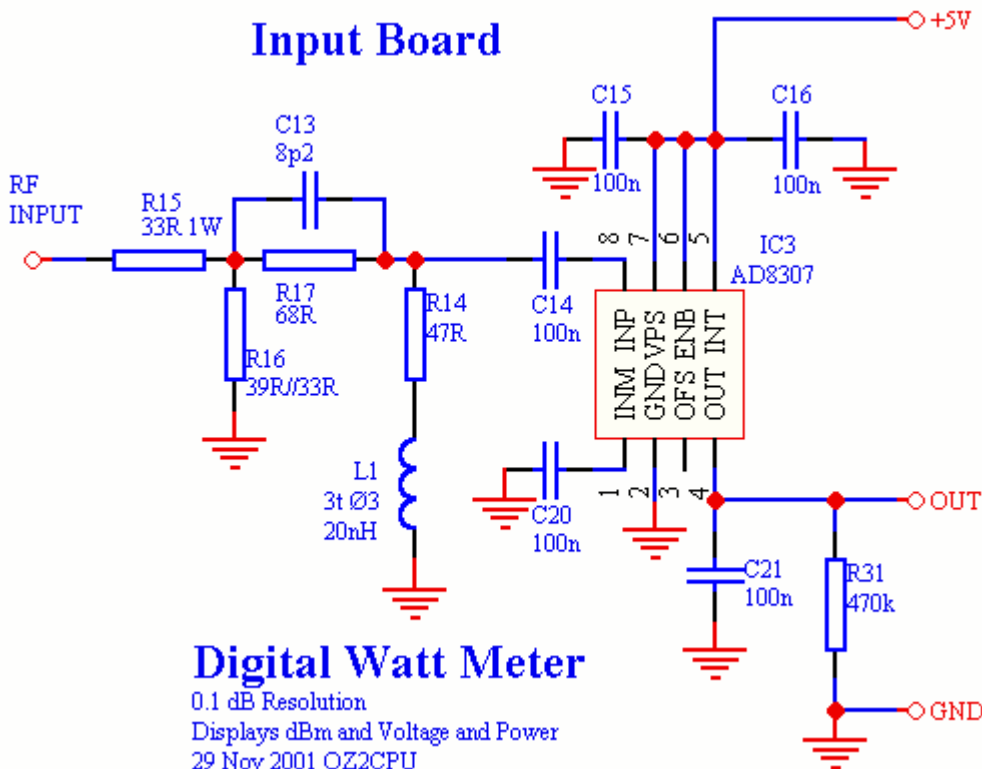
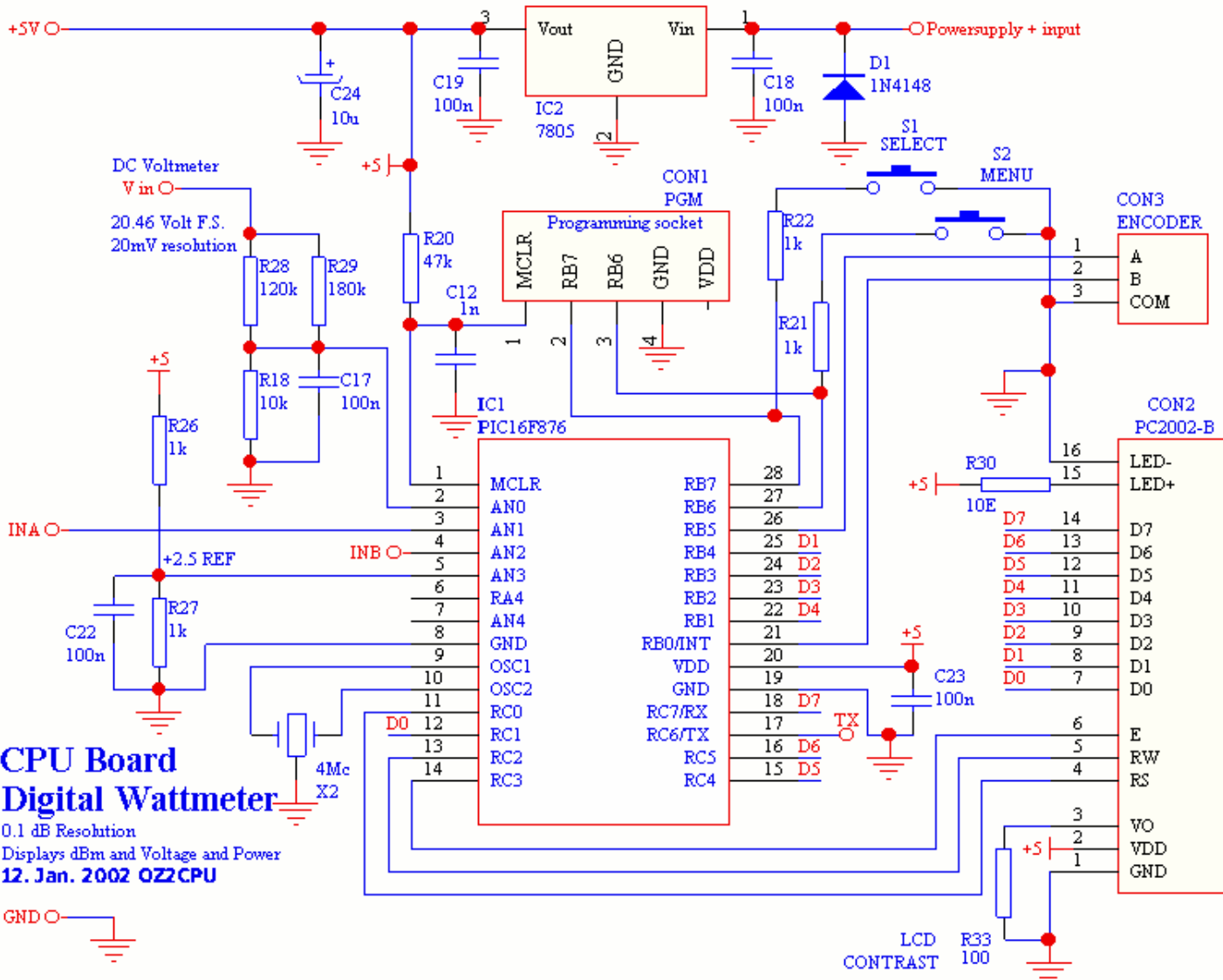


Input Board



Digital Watt Meter

0.1 dB Resolution
 Displays dBm and Voltage and Power
 29 Nov 2001 OZ2CPU



CPU Board

Digital Wattmeter
 0.1 dB Resolution
 Displays dBm and Voltage and Power
 12. Jan. 2002 OZ2CPU

