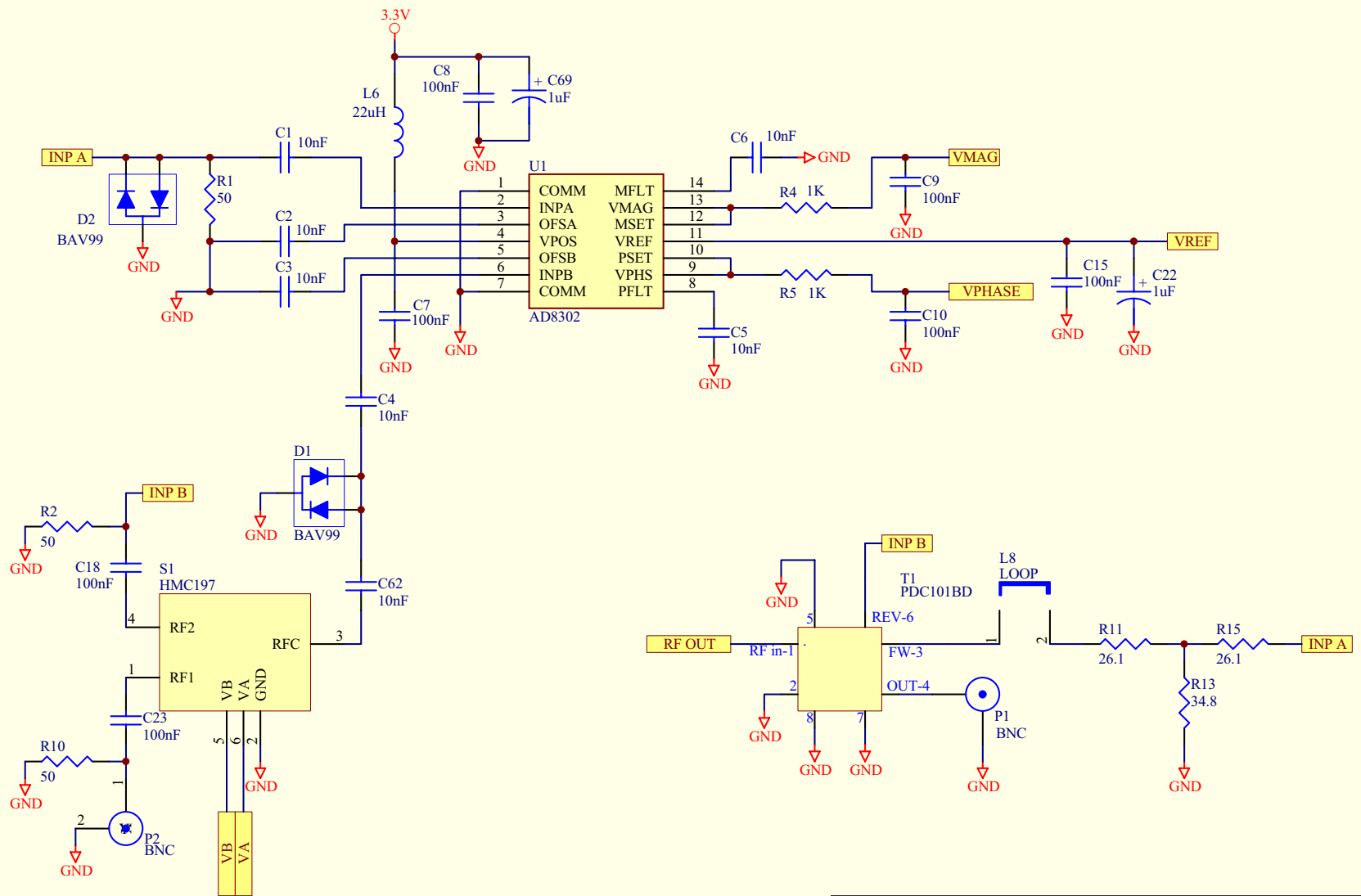
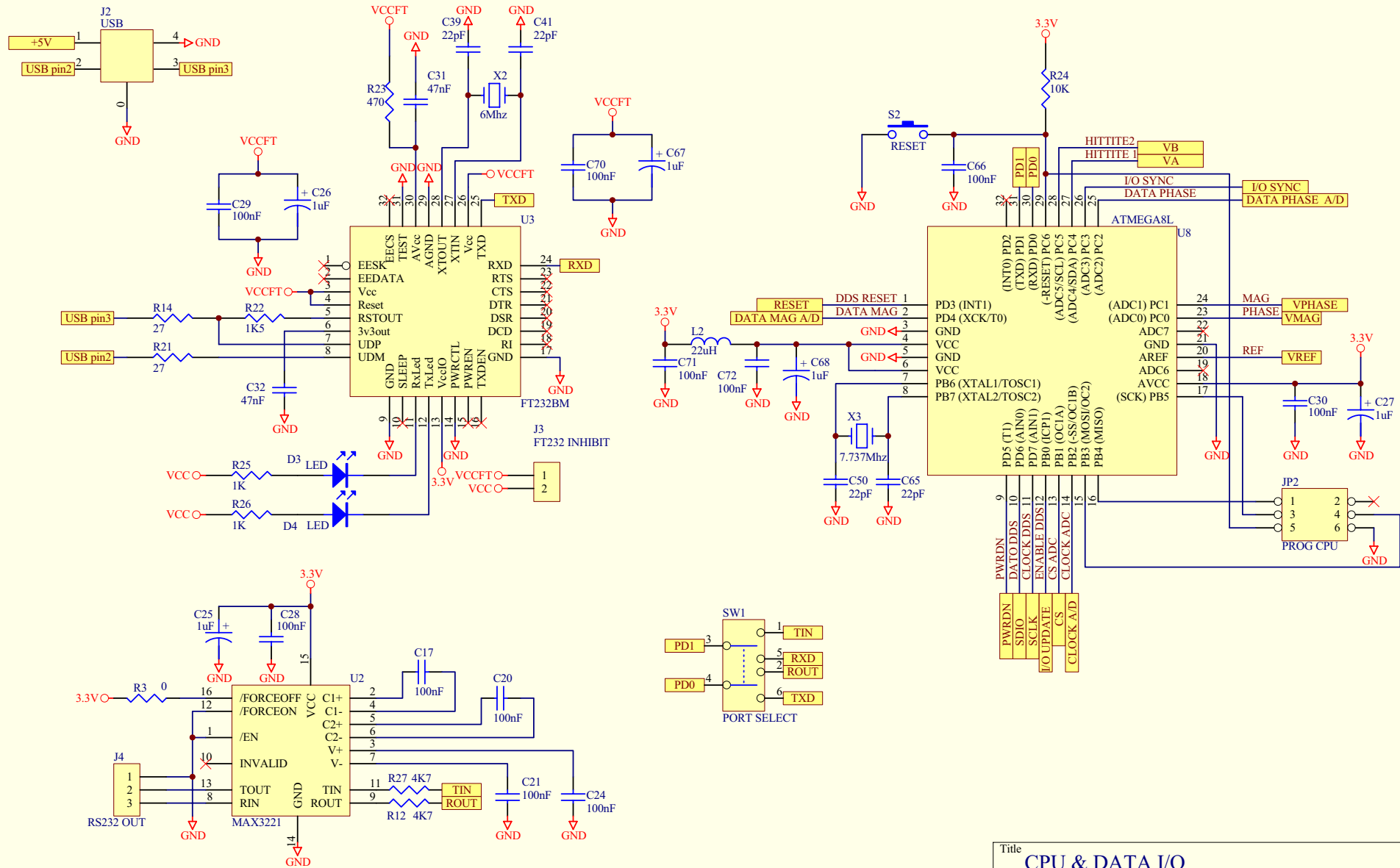


SUPPLY & DDS

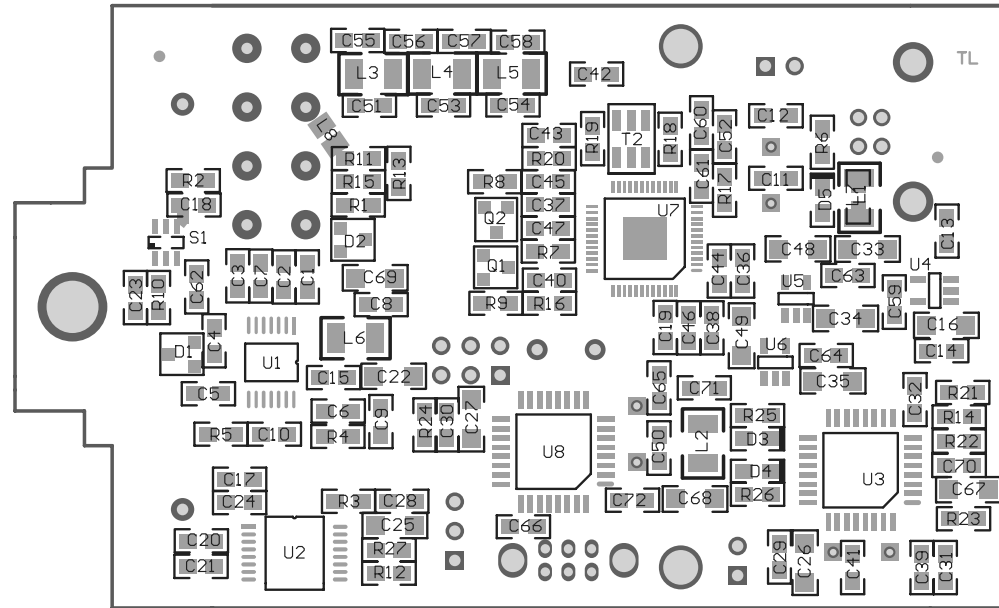
Title		
SUPPLY & DDS		
Size	Number	Revision
A4		
Date:	28-Mar-2006	Sheet 2 of 3
File:	C:\Documents and Settings\Alessandro\Desktop\PCB\vector2-3.ddb	



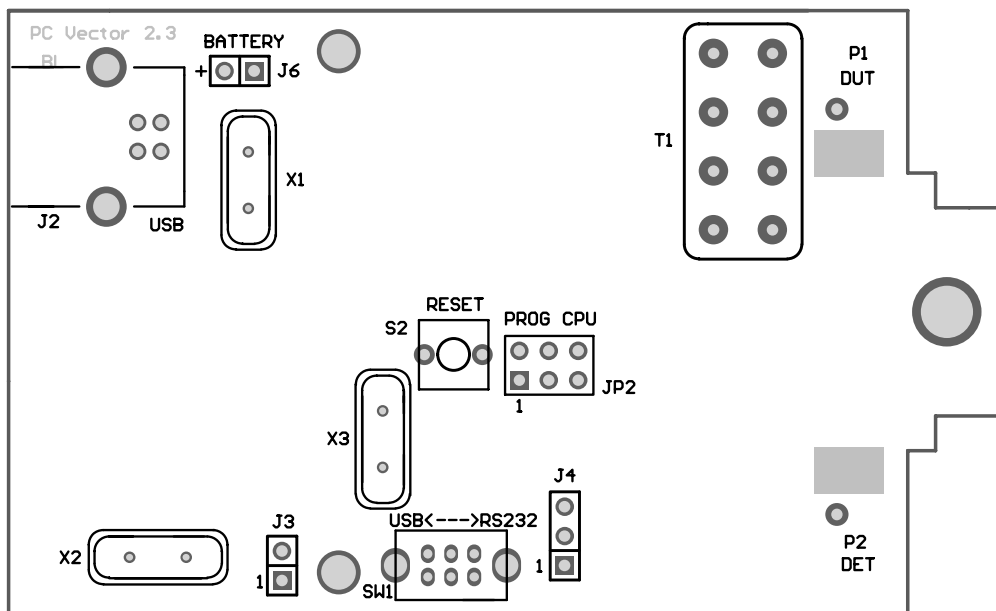
Title		
COUPLER & DETECTOR		
Size	Number	Revision
A4		
Date:	28-Mar-2006	Sheet of
File:	C:\Documents and Settings\Alessandro\Desktop\PCB\vector2-3.ddb	



Title		
CPU & DATA I/O		
Size	Number	Revision
A4		
Date:	28-Mar-2006	Sheet of
File:	C:\Documents and Settings\Alessandro\Desktop\PCB\vector2-3.ddb	



	TITLE: miniVNA	
	DATE: 19 Feb 2006	REV: 00



AVViniM

TITLE:

REV: 00

DATE: 19 Feb 2006

DATE:

Bill Of Material For PCV2-3.PCB

Comment	Pattern	Quantity	Components

CONDENSATORI (SMD)			
2.2pF	0805	1	C54
6.8pF	0805	1	C53
12pF	0805	2	C51, C55
22pF	0805	5	C39, C41, C50, C58, C65
27pF	0805	1	C56
33pF	0805	3	C11, C12, C57
100pF	0805	5	C44, C45, C46, C47, C61
10nF	0805	11	C1, C2, C3, C4, C5, C6, C52, C59, C62, C63, C64
47nF	0805	2	C31, C32
100nF	0805	28	C7, C8, C9, C10, C13, C14, C15, C17, C18, C19, C20, C21, C23, C24, C28, C29, C30, C36, C37, C38, C40, C42, C43, C60, C66, C70, C71, C72
1uF	1206 Tantalio	9	C22, C48, C49, C67, C68, C69, C25, C26, C27
22uF	1206 Tantalio	4	C16, C33, C34, C35

INDUTTANZE (SMD)			
39nH	1210	1	L3
56nH	1210	1	L4
68nH	1210	1	L5
10uH	0805	1	L7 alternativa a L1
10uH	1210	1	L1
22uH	1210	2	L2, L6
TC1-1T	RF TRANSFORMER	1	T2

BOM for PCV2-3.txt

RESISTENZE (SMD)

26.1	0805	2	R11, R15
27	0805	2	R14, R21
34.8	0805	1	R13
50	0805	3	R1, R2, R10
120	0805	2	R18, R19
270	0805	1	R17
470	0805	1	R23
1K	0805	7	R4, R5, R6, R8, R9, R25, R26
1K5	0805	1	R22
3K	0805	1	R20
4K7	0805	2	R12, R27
10K	0805	3	R7, R16, R24

DIODI (SMD)

LED	LED0805	3	D3, D4, D5
BAV99	SOT23	2	D1, D2

IC'S & TRANSISTORS

2N3904	SOT23	2	Q1, Q2
LP2992AIM5-3,3	SOT	1	U4
LP299AIM5-1,8	SOT	2	U5, U6
AD8302	TSSOP14	1	U1
AD9951	TQFP48	1	U7
ATMEGA8L	TQFP32	1	U8
MAX3221	SSOP16	1	U2
FT232BM	TQFP32	1	U3
HMC197	SOT26	1	S1

BOM for PCV2-3.txt

COMPONENTI PTH

25Mhz	HC49S	1	X1
6Mhz	HC49S	1	X2
7.737Mhz	HC49S	1	X3
PDC101BD	DC MINICIRCUITS	1	T1
USB	USB CON	1	J2
BNC	BNC AMPHENOL	2	P1, P2
PORT SELECT	SLIDE SW	1	SW1
RESET	P12224SCT-ND	1	S2
	SIP2	1	J6
	SIP2	1	J3
	IDC6	1	JP2
	SIP3	1	J1
	SIP3	1	J4